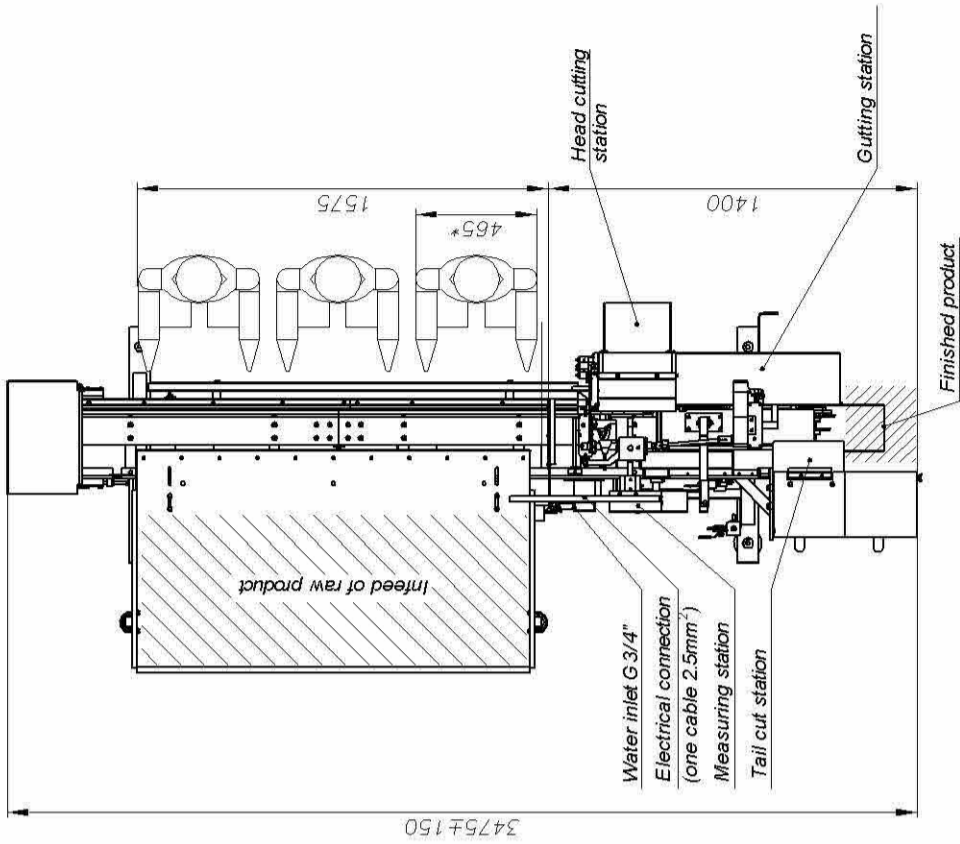


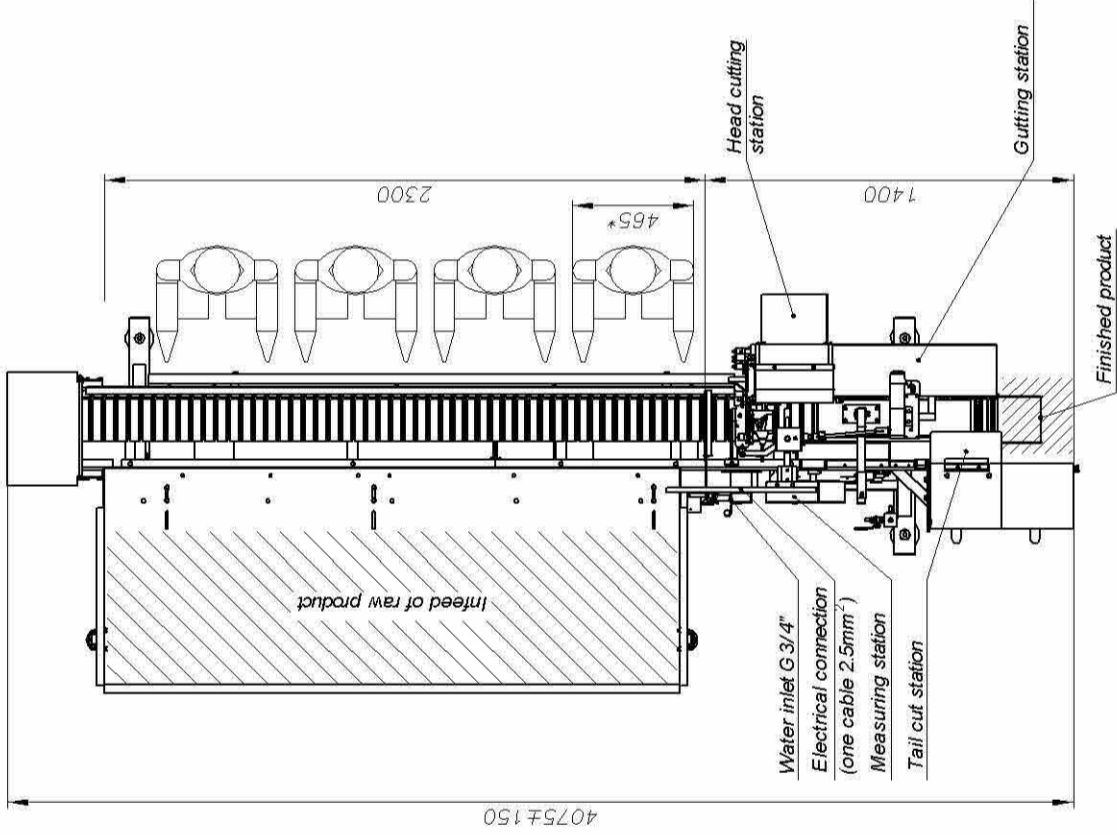
1

Short machine



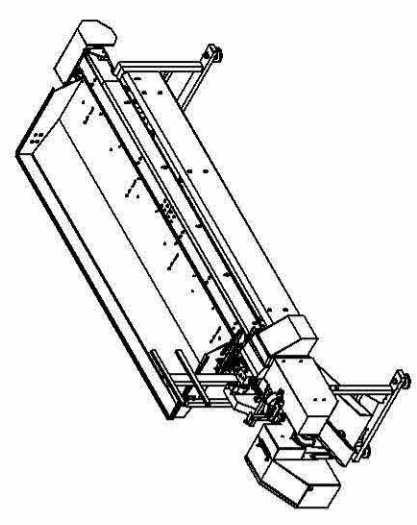
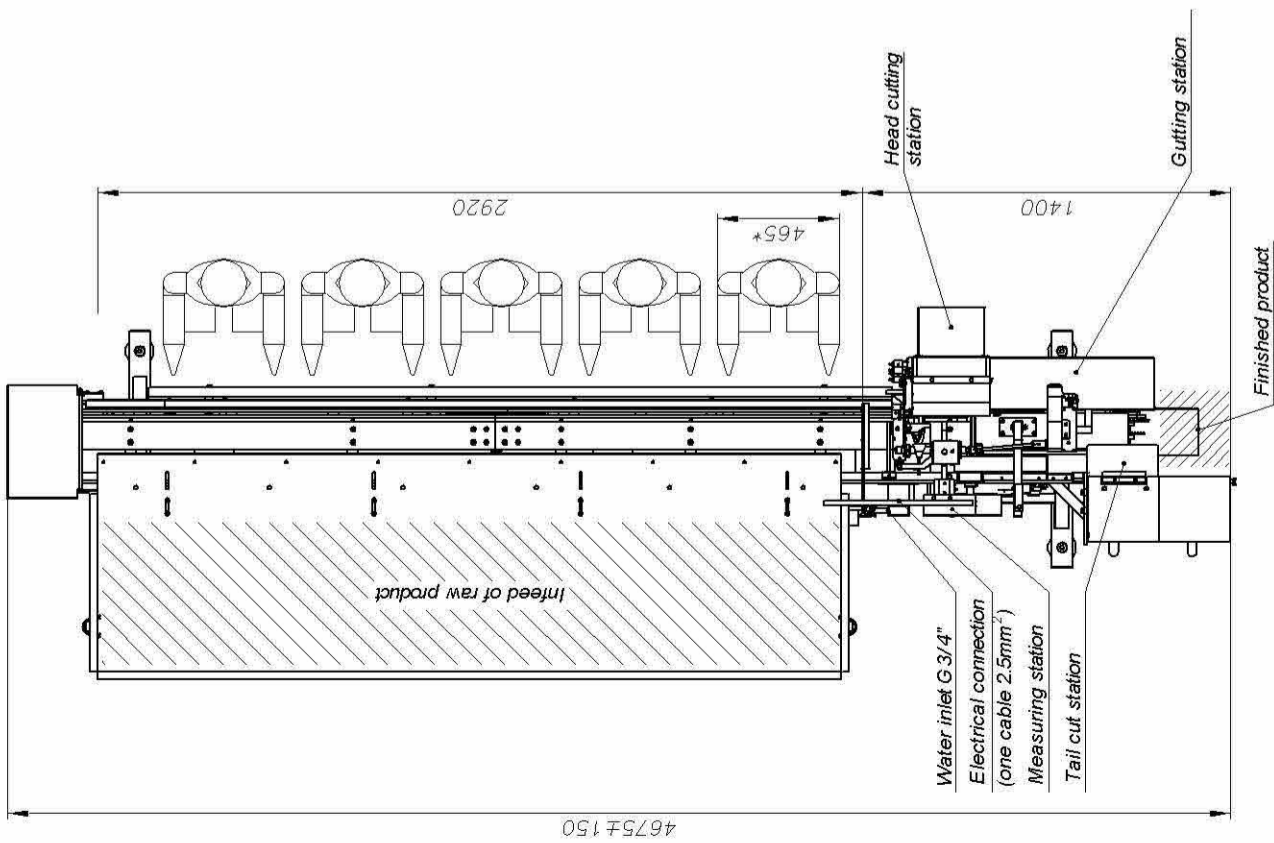
2

Standard machine

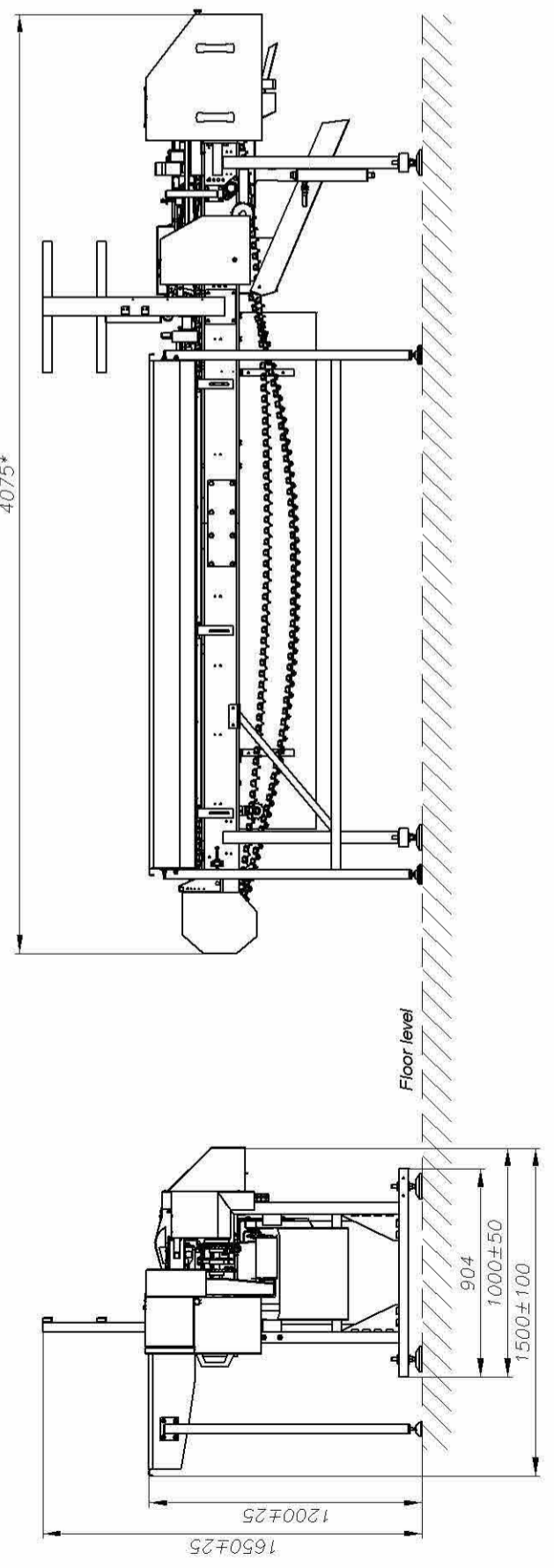


3

Extended machine



1. Electrical connections:
  - Main motor 0.75kW
  - Head cutting motor 0.18kW
  - Tail cutting motor 0.37kW
2. Water connections:
  - Hose - inner diameter 19 mm (3/4")
  - Water pressure - constant 3 kg/cm<sup>2</sup>
  - Water consumption ~10 l/min
3. All types of machines can be manufactured specularly.
4. \* - for notes.



Part no. / Amount	Material	Scale	1:20
Drawn by / S. Sharapov	Checked by /	Signature	SEAC AB
Date	Project	Project name	NOBBING MACHINE
		Scale	SEAC (FPM 200-04 [3.5, 4.0, 4.5m])
		Replaced by	
		Date	
		Part number	

B

B

A

A