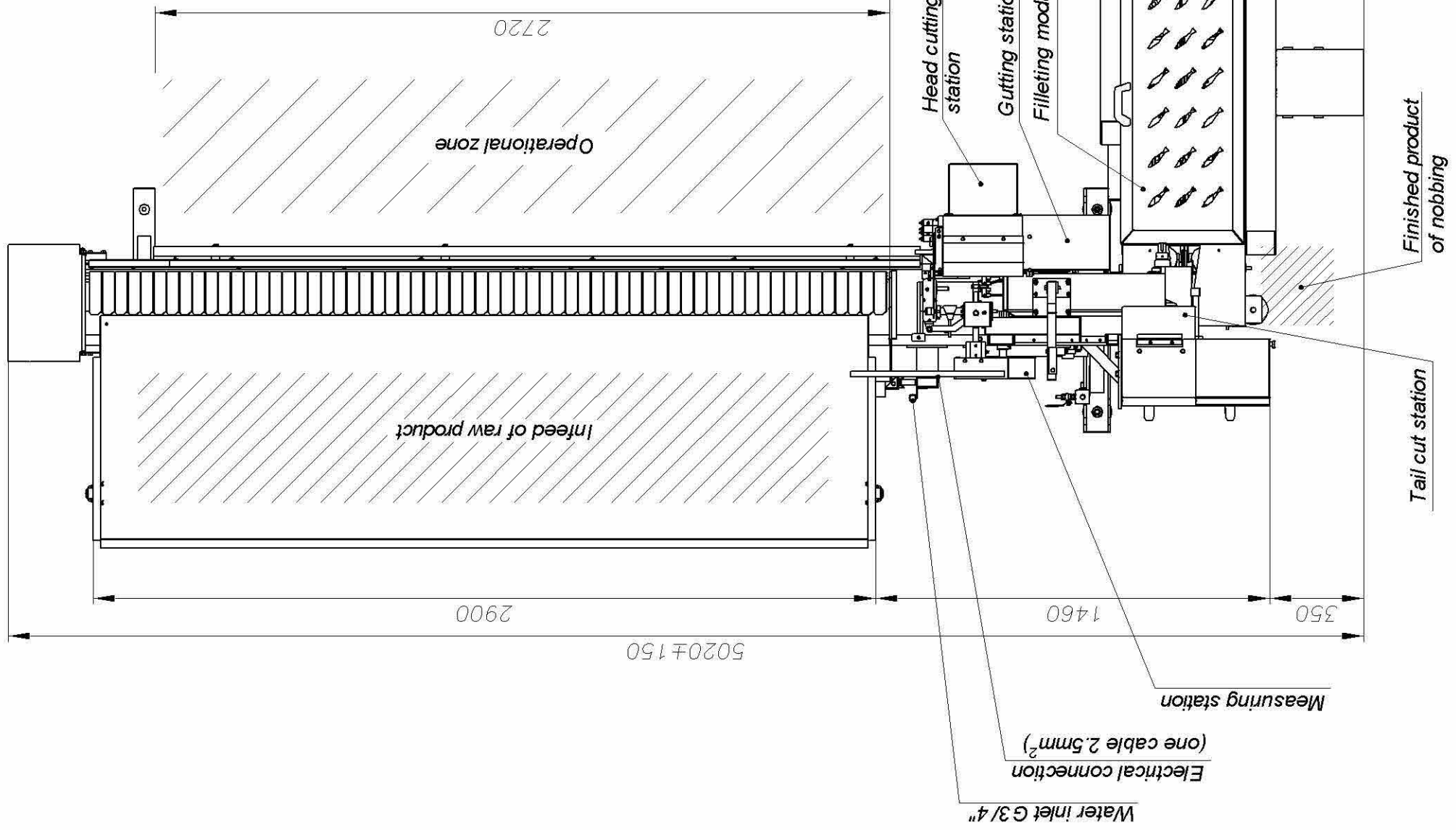
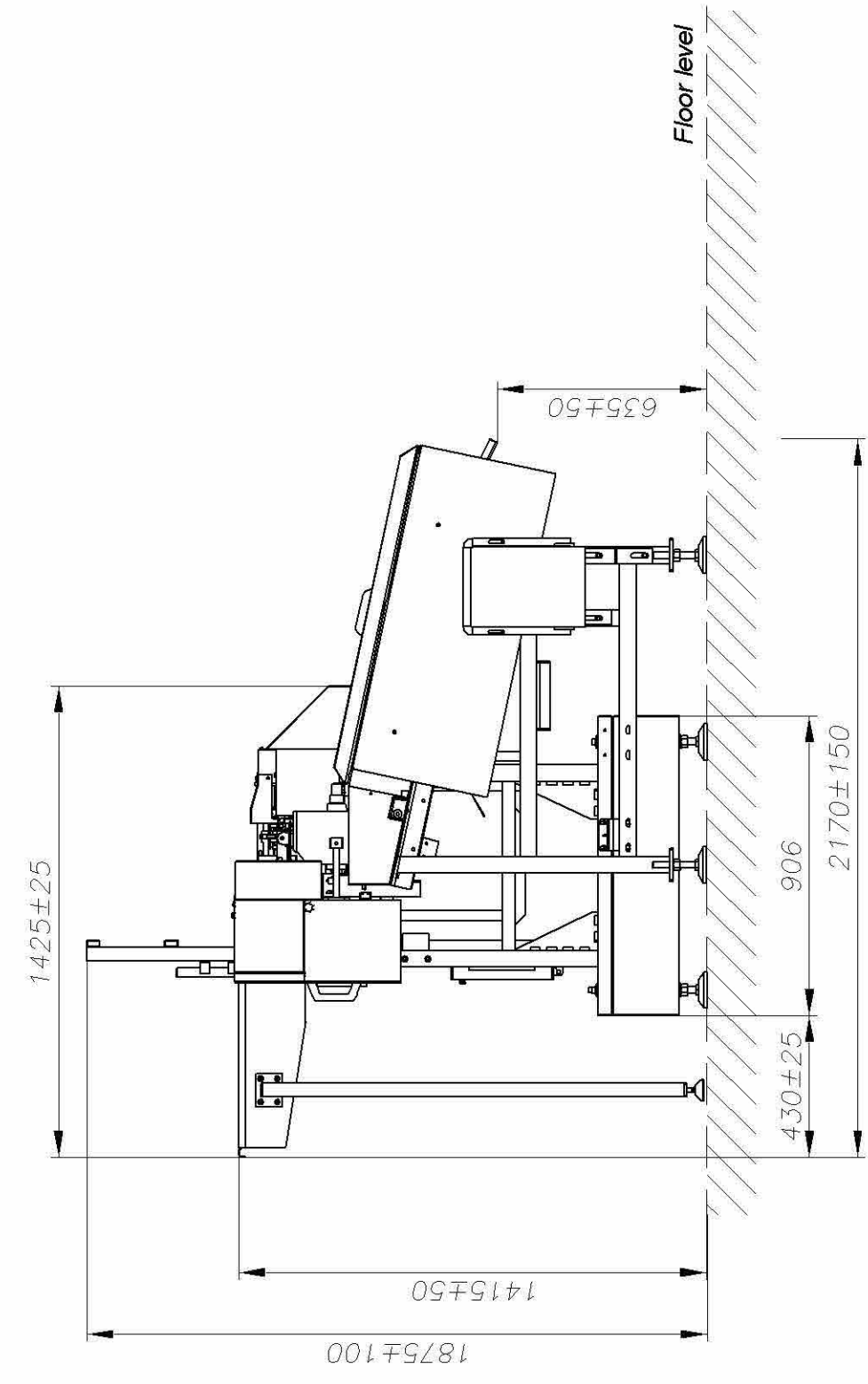


Part number



Part nr. Const. S.Sharapov	Amount Date	Material T.adviser	Signature	Scale 1:20	Notification Replace	Replaced by Date
SEAC AB			Filletting machine SEAC (FPM 400-04)		Part number	